

Overflow Standpipe Drain

Product Description:

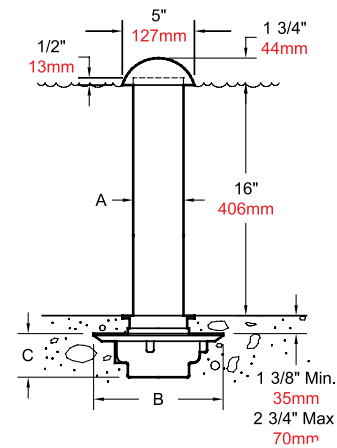
Cast bronze adjustable drain hub with removable copper standpipe and cast bronze top cap. Cast iron hub with membrane clamping ring. Single locking screw for easy removal. Threaded connection.



Data:

Model Number	NPT	Inches			Millimeters		
		A	B	C	A	B	C
R-15B	2"	2 1/8"	9	3	54	229	76
R-16B	3"	3 1/8"	9	3	79	229	76

Dimensions:



Catalog #	
Details	
Project	
Prepared by	
Date	