

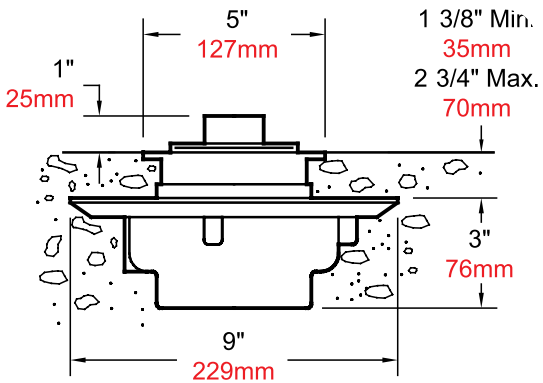
## Floor Drain with Plug

### Product Description:

Cast bronze adjustable drain top and removable plug with natural finish. Cast iron hub with membrane clamping ring. 3" FPT threaded connection.



### Dimensions:



Catalog #	
Details	
Project	
Prepared by	
Date	