

Underwater or Dry Freestanding 100-500 Watts, 120 Volts

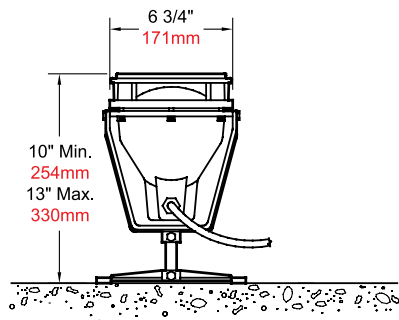
Product Description:

The LLP Series 120 Volt fixture is a cast bronze light designed for energy consumption up to 500 Watts in a Wet/Dry environment or underwater application. This Freestanding light is UL listed for both underwater and dry applications, and offers 90 degrees of angular adjustment on a 360 degree axis, making it ideally suited for fountains, streams, and landscape lighting applications.



Detail:

Model Number	UL Max. Wattage Rating	Lamp Type	Watts	Volts	Lamp Life (Hours)
LLP-100PHBAX	100	PAR38	100	120	3000
LLP-150PHBAX	150		150	130	5000



Specification:

Fixture Body:	Cast bronze with brass cord compression seal.
Rock Guard:	Cast bronze, elevated for ease of maintenance.
Yoke/Base	Cast bronze with red brass riser. 90° angular adjustment on a 360° axis.
Reflector:	Furnished with ten feet of 16-3 Type STOW submersible cord; entry is totally encapsulated in an epoxy compound.
Cord:	Porcelain medium screw base.
Socket:	Per chart. Supplied separately, add suffix -LP to catalog number to include lamp.
Gaskets:	High temperature, single piece, molded silicone rubber.
Lens:	Clear, convex, high temperature tempered glass. <i>Not available with colored lenses.</i>
Lamp:	Underwriters Laboratories Listed for both underwater and dry use.
Safety:	Underwriters Laboratories Listed for underwater application. Supplied with an integral thermal cutoff device.



fountain people®

Story | Water | Light | Motion

Fountain People, Inc.
P.O. Box 807
San Marcos, TX 78666
T: 512.392.1155
F: 512.392.1154
www.fountainpeople.com

Catalog #	
Details	
Project	
Prepared by	
Date	