

# Liquid Color™ 360°, 120VAC

www.fountainpeople.com

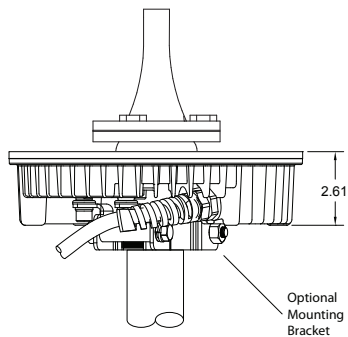
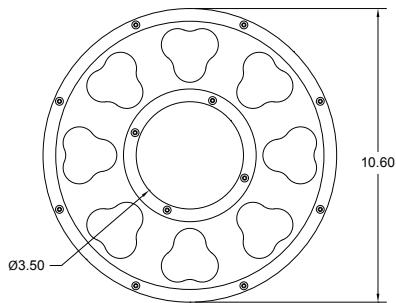
Model Number: LC3-H

## Product Description:

10.6" diameter annular RGB LED underwater fixture with 3.5" center opening and 2.6" depth; cast copper housing; tempered fritted lens; 120 volt or input voltage, 126 watt maximum, integral power supply; 10' Type SE00W Seoprene cord; RGB array to include power line modem module for DMX interface.



## Detail:



## Specification:

|                           |  |
|---------------------------|--|
| Beam Angle Options:       | 8°, 26°, 46°, 16° x 50° elliptical   |
| Total Lumen Output:       | 1594 Lumens  |
| Color Range:              | 16.7 million additive RGB colors: continuously variable intensity  |
| Lumen Maintenance:        | 70% of full output for 50,000 + hours @ 50° C /122°F   |
| Input Voltage:            | 120VAC 50/60 Hz  |
| Power Consumption:        | 126 Watts maximum  |
| Control Interface:        | DMX and ArtNet. Integral power line modem module.  |
| Control System:           | Fountain People, Inc. controller or third-party DMX or ArtNet controller. (LC Series lights allow for up to 170 lights per DMX universe) |
| Dimensions:               | 10.6" outer dia. x 3.5" inner dia. x 2.6" height (269.2 x 88.9 x 66 mm)  |
| Weight:                   | 14 lbs. with 10' of cable (5.21 kg)  |
| Housing:                  | Cast Copper. UNS C22000. Thermally efficient. Marine grade.  |
| Lens:                     | Clear tempered glass with glare and UV screening. Frosted lens optional  |
| Cable Fixture Connection: | Single 10' (3.05 m), 14-3 SE00W cord with long life Seoprene sheathing (Standard)  |
| Safety Certifications:    | ETL per UL676, FCC, CE, RoHS Compliant   |
| LED Class:                | Class 2 LED product  |
| Environment:              | Dry / Submerged - IP68 rated   |
| Thermal Protection:       | Integral Sensor Protection   |
| Mounting Hardware:        | Optional: Niche, Freestanding, Riser, Custom   |



fountain people®

Story | Water | Light | Motion

Fountain People, Inc.  
P.O. Box 807  
San Marcos, TX 78666  
T: 512.392.1155  
F: 512.392.1154  
www.fountainpeople.com

|             |  |
|-------------|--|
| Catalog #   |  |
| Details     |  |
| Project     |  |
| Prepared by |  |
| Date        |  |

V1.6