

FX-FLUSH MOUNT LIGHT FIXTURE

www.fountainpeople.com

APPLICATION INFORMATION:

Fountain People FX-Series LED light fixture is designed, engineered and fabricated for illumination of fountain and splash pad spray effects. The fixture is located in a niche housing poured flush with the fountain floor or wall.

PRODUCT SPECIFICATION:

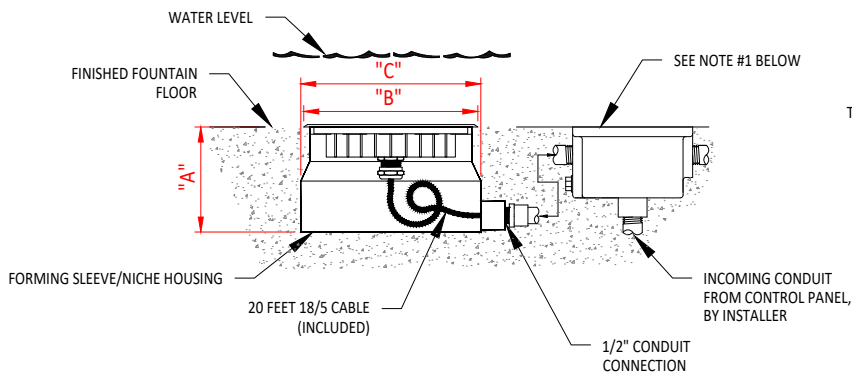
FX-LED-FM-RGB Underwater Flush Mounted LED light fixture; 7.25" diameter, 304 stainless steel construction, LED light fixture with (12) diodes. Fixture includes tempered glass lens with silicone gasket and 20 feet of submersible cable. Located in a flush mount plastic forming sleeve, the fixture is available in either 24 watt (RGB) or 25.5 watt (W), 12 diode configuration.

NOTES:

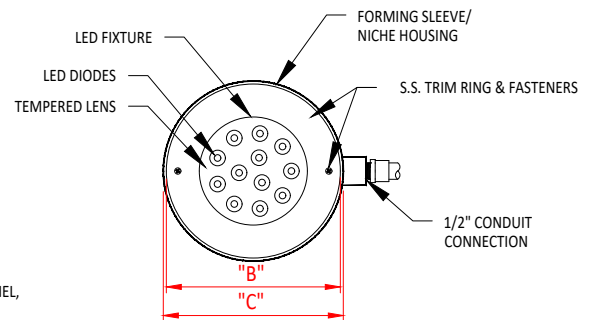
- FIXTURE REQUIRES LOW VOLTAGE POWER SUPPLY
- DMX DRIVER REQUIRED FOR DIMMING & COLOR CHANGING CAPABILITY



Details



ELEVATION VIEW



PLAN VIEW

Fixture Dimensions	7.25" Light Diameter 7.5" Niche Diameter
Submersible Rating	6.5 feet
Input Voltage	24VDC
Cable/Length	20 feet- 18/5 (RGB), 18/3 (White)
Power Usage	24W RGB, 25.5W White
Dimming Capability	Yes (DMX Controller Required)
Color	Adj. (RGB) or 5000K (W)
LED Diode Quantity	12 (~2 watts each)

Beam Angle	25 Degrees (fixed)
Lens Material	Tempered Glass
Fixture Construction	Type 304 stainless steel
Housing Construction	Plastic forming sleeve
Fixture seal	Silicone
Application Location	Underwater, marine environment
LED Diode Lifespan	~ 50,000 hours
Warranty	1 year
Certifications/Standards	CE, IP68, RoHS



ENGINEERING DATA

CATALOG #	CONN. SIZE	DIM 'A'	DIM 'B'	DIM 'C'	NOTES:
FX-LED-FM-RGB	1/2" (F)NPT	4.375"	7.25"	7.5"	1) UNDERWATER JUNCTION BOX REQUIRED. SIZE BASED ON LIGHT QUANTITY. SEE CATALOG ITEM: <u>LJN-SERIES</u>
FX-LED-FM-W	1/2" (F)NPT	4.375"	7.25"	7.5"	



Fountain People, Inc.
4600 Hwy 123
San Marcos, TX 78666 USA
T: (512) 392-1155
F: (512) 392-1154
www.fountainpeople.com